

Telescopic ladder for platforms, with oval tubes and larger step

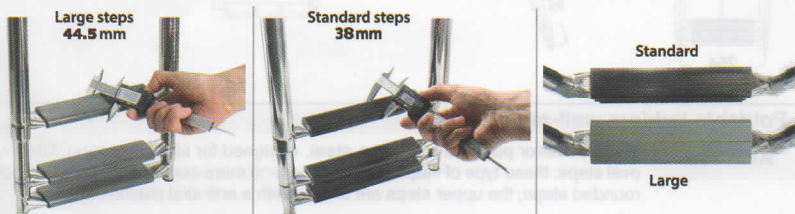
PATENT PENDING

AISI 316

LARGE STEPS (44.5 mm)

The oval tubes make the ladder more valuable. Better grip when climbing up.

| Code | Steps | | Length mm | | Max width mm |
|-----------|-------|---------------|-----------|--------|--------------|
| | No | Colour | open | closed | |
| 49.555.03 | 3 | Grey RAL 7046 | 850 | 375 | 300 |
| 49.555.04 | 4 | Grey RAL 7046 | 1130 | 406 | 306 |
| 49.555.05 | 5 | Grey RAL 7046 | 1370 | 439 | 318 |



OSCULATI

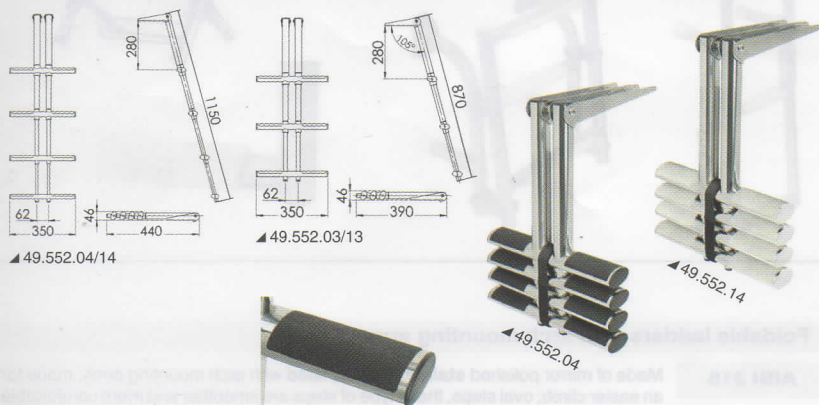


DIVER telescopic ladder for gangplank

AISI 316

Made of mirror-polished stainless steel. Anti-slip steps. Ideal for scuba diving and water sports.

| Version with steps | | Steps | Hose Ø mm | Length mm | | Width mm | Mounting |
|--------------------|-----------|-------|-------------|-----------|--------|----------|----------------|
| Black | White | | | Open | Closed | | |
| 49.552.03 | 49.552.13 | 3 | 19/25/32 | 870 | 390 | 350 | Under platform |
| 49.552.04 | 49.552.14 | 4 | 19/25/32/38 | 1150 | 440 | 350 | Under platform |



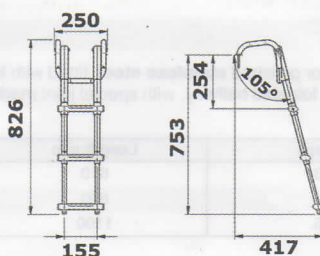
OSCULATI



Very compact telescopic ladder with handles for gangplanks

Made of mirror-polished AISI 316 stainless steel.

| Code | Steps | Tube Ø mm | Lenth mm | | Max length mm |
|-----------|-------|-----------|----------|--------|---------------|
| | | | open | closed | |
| 49.556.03 | 3 | 19/25/32 | 820 | 437 | 250 |



OSCULATI

